

ISP-24 Basic Alarm Annunciator



- 24 CHANNELS LED TECHNOLOGY
- STANDARD RS485 COMMUNICATION
- RELIABLE PERFORMANCE UNDER ELECTROMAGNETIC INTERFERENCE
- WORKING WITH DIFFERENT VOLTAGE LEVELS. (24/48 ,110 VDC)
- EASY PROGRAMMING
- CAPABILITY OF RELAY OUTPUT SELECTION FOR EACH CHANNEL BY USING PUSH BUTTONS ON THE FRONT PANEL
- ISOLATED RS485 PORT AND MODBUS RTU PROTOCOL SUPPORT
- HIGH QUALITY AND LONG LIFE POWER SUPPLY WITH PROTECTION FOR OVER TEMPERATURE, SHORTCIRCUIT, OVERCURRENT/OVERVOLTAGE

TELEPRO-ISP-24-sx Alarm Annunciator is a flexible, functional and reliable product used in the protection and control automation systems.

Our product, combining low cost with good quality, compact and unique design, is an unrivaled product with optional communication and optional event recording features.

Each one of 24 pcs channels is isolated. They are protected by opto-coupler, harmonic suppressors and noise filtering software. Device can be safely used under the environment containing high electromagnetic noise which is continuously met.

Horn and bell selection can be done with pushbuttons as well as all the parameters can be set via ISPSim™ software.

Response and release time for the environment with electromagnetic noise are to be programmed between 3-250msec.

RS485 communication port supports Modbus RTU and could be easily integrated to the SCADA systems.

ISP-24-sx could be easily labelled by the aid of dedicated labeling template provided by TELEPRO®.

GENERAL DATA

MODULAR CONSTRUCTION

TELEPRO-ISP-24-sx Alarm Annunciator is an advanced technology product providing compact, flexible programming and labelling options.

It could be easily used in the wide area protection systems, thanks to the parallel working feature.

COMMUNICATION

The integrated RS485 serial communication port with galvanic isolation protection, supports Modbus RTU protocol and get easily adapted to the SCADA systems.

LED INDICATION

Energy saving LED indication, providing ultra bright illumination which could be seen even in the high lighting environments, is supplied as default.

FULL SOFTWARE CONFIGURATION

With the help of ISPSim™ software; relay selection (horn-bell), response and release time as well as ModbusID setting can be programmed.

In addition, horn-bell selection of all channels can be safely (and independently from software) set with the push buttons on the front panels without opening panel doors. With the advantages resulted from unique design, needs for dip switches are eliminated.

INPUTS

All inputs are isolated with opto-coupler, protected with varistor, having common return terminal and filtered. False alarm possibility is completely eliminated. Maximum input current is 5mA, input voltage can be ordered as 24/48V and 110V DC.

RELAY OUTPUTS

TELEPRO-ISP-24-sx provides 2pcs of NO FormA type dry contact relay outputs by default. Outputs are set to HORN or BELL alternatives. All channels can be set to one of these alternatives with software or push buttons on the front panel. Additionally it provides FAULT relay having FormC type NC/NO with common terminal so as to indicate internal system faults.

PROGRAMMABLE RESPONSE AND RELEASE TIME

There are “software programmable” response – release time which provide flexible and safe performance for protection against induced magnetic fields resulted from maneuvers i.e CB opening/closing especially. With the help of ISPSim™ software; Response and release time are independently set between 3msec

and 250msec. Response time is set to 5msec, release time is set to 20msec by default.

HIGH QUALITY POWER SUPPLY

TELEPRO-ISP24-sx can be supplied with 3 different voltage level in order to meet the different alternatives used in the distribution system automation. It can be freely connected to the voltage levels of 24/48V and 110V DC . Power supply with the design of protection against shortcircuit, overcurrent/overvoltage and over temperature, guarantees long life.

DISPLAY AND LABELING

Having front panel design which membrane featured, providing high quality appearance. Easily changed, printed out labelling system with the front label size of 47x7,5mm is having a user friendly design .

Window for each channel can be named with label template supplied by TELEPRO® . Whenever requested, labels can be easily changed.

CASE AND MOUNTING

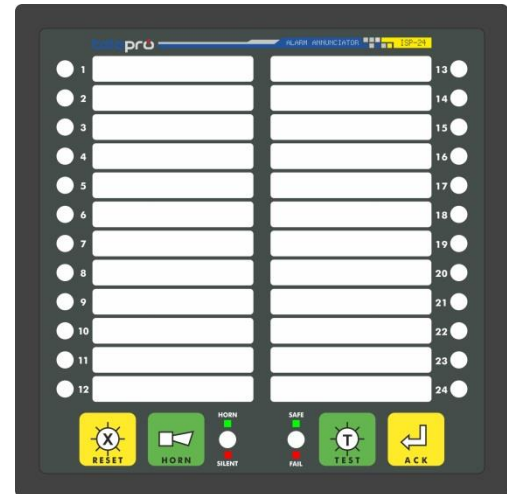
TELEPRO-ISP24-sx is provided in panel type case configuration. Mechanical protection of our standard case is of IP51. Having Standard dimensions of 144x144x57 mm and weight of 750gr. With user friendly screwed mounting system, it can be fast and safely mounted / dismantled.

EASY TO USE

24 pcs of dry contacts from the field are to be connected to inputs of ISP24-sx.

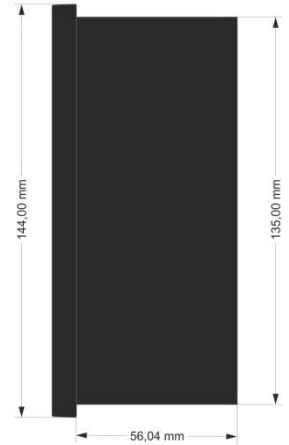
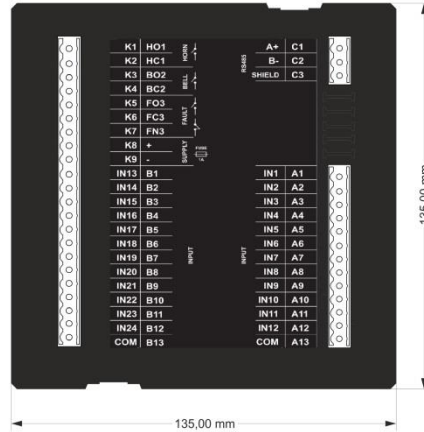
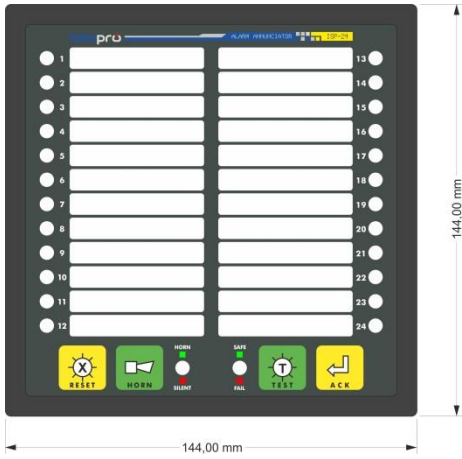
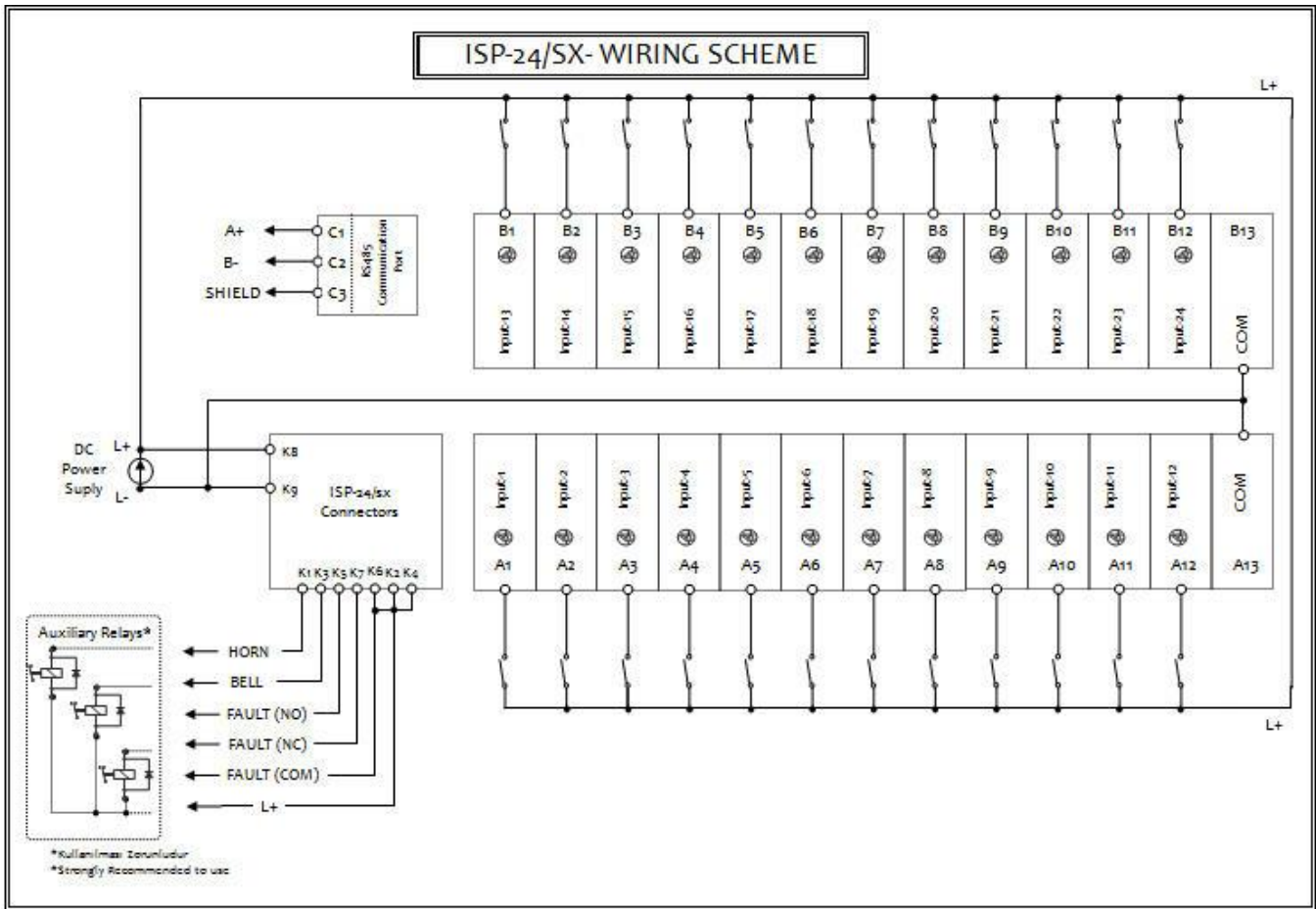
Each channel can be set to HORN or BELL relay according to operator choice. These settings provide difference in LED indication too.

Wiring connection and other details are provided in the Installation Manual supplied with the device.



TECHNICAL SPECIFICATIONS

ISP-24-sx	24/48Vdc	110 Vdc
Supply		
Supply Voltage	18-72Vdc	65-300Vdc
Supply power	5w	
Inputs		
Qty of Inputs	24	
Type of Inputs	Optical Isolated	
Input Current(per channel)	Max. 5 mA	Max. 5 mA
Input impedance (min)	60 k Ω	150 k Ω
Input threshold voltage	12V \pm %20	65 V \pm %20
Transient Voltage	Common Mode: 1kV – Serial Mode: 2kV	
Response time	Programmable 3-250ms Default :5 ms	
Release time	Programmable 3-250ms Default :20 ms	
Connection type	Screwed, pluggable type terminals	
Wire size	12 AWG (2.5 mm)	
Outputs		
Contact Outputs	48Vdc-1A / 110Vdc-0.3A	
Horn Relay	1-Form-A dry contact relay (SPST) (NO)	
Bell Relay	1-Form-A dry contact relay(SPST) (NO)	
Fault Relay	1-Form-C dry contact relay(SPDT) (NO/NC)	
Communication		
Communication Port	2 wires, RS485	
Communication Protocol	Modbus RTU 19200/8/n/1	
User Interface		
PushButton	Reset – Horn – Test - Ack	
Front Panel	Dual Layer, Embossed, Multi Color Membrane, With Sticker Slots	
Window dimensions(WxL)	47x7,5 mm	
Indication	LED Indication (Red-Green)	
Audible indication	23mm Buzzer 75 dbA	
Horn – Bell Configuration	With front panel buttons – ISPsim Software	
Case		
Case type	Panel type	
Dimensions (WxLxD)	144x144x57 mm	
Panel Mounting	Plug-in with panel mounting sleeve	
Protection Class	IP51	
Weight	750 gr	
Environmental Features		
Operating temperature	-20 C – +55 C	
Storage temperature	-25 C – +80 C	
Humidity	0-95% RH	
Package		
Package type	Carton Box	
Package dimensions(WxLxD)	183x153x107 mm	
Weight	870 gr	



All products under 2 year warranty againts manufacturing faults.